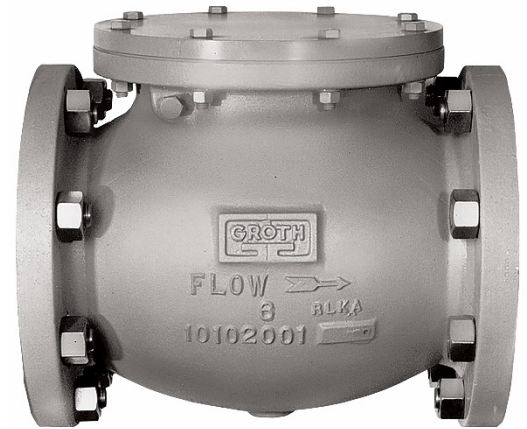


# Back Pressure Check Valve

## MODEL #8110

### OVERVIEW

The GROTH BIOGAS Model 8110 is a Back Pressure Check Valve used specifically in low pressure gas control lines where minimum pressure drops, and maximum flow capacities are required. Model 8110 valves are built of corrosion resistant components. Furnished standard in aluminum with free swinging aluminum pendulum type pallet. By removing the cover, easy access is provided for quick inspection and maintenance. Model 8110 check valves should be installed in your low-pressure line down stream of meters, regulators, and other gas control devices that may be otherwise damaged by an accidental reversal of the pressure in the system due to pressure waves from a flashback or similar disturbance.



### TECHNICAL DETAILS

- Sizes 2" through 12"
- Housing standard material: Aluminum
- Maximum working pressure is 10 psig / 0.689 barg

### FEATURES

- Flame element has sufficient openings to provide a minimum pressure drop and still prevent flashback in the line
- Flame element consists of mesh and chemically etched plates
- Modular design allows easy access for inspection and maintenance

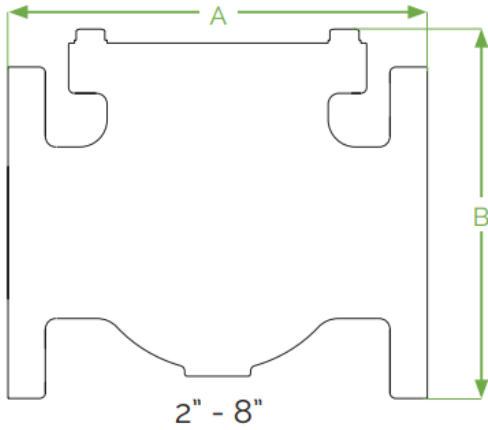
### OPTIONS

- AMSE 125# PN 10/16 flange.

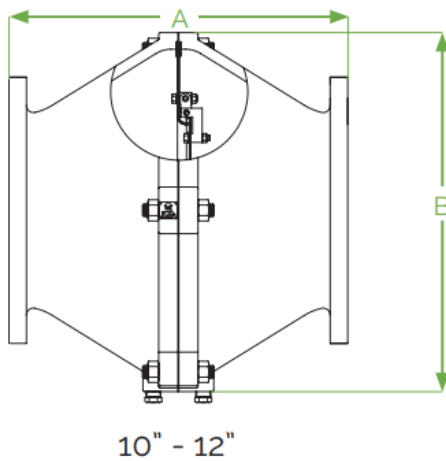
# Back Pressure Check Valve

## MODEL #8110

### SPECIFICATIONS



Connection Size Inches (mm)	A Length Inches (mm)	B Height Inches (mm)	Assembly Weight Aluminum LBS (KG)
2 (50)	8.00 (203)	8.12 (206)	9 (4)
3 (80)	9.50 (241)	10.50 (267)	15 (7)
4 (100)	11.50 (292)	11.50 (292)	28 (13)
6 (150)	14.00 (356)	13.50 (343)	50 (23)
8 (200)	19.50 (496)	16.50 (419)	90 (41)
10 (250)	25.69 (653)	19.00 (480)	111 (50)
12 (300)	34.82 (884)	22.50 (572)	150 (68)



### HOW TO ORDER

<b>MODEL #</b>	<b>SIZE</b>	<b>MATERIAL</b>	<b>FLANGE</b>	<b>MAWP</b>	<b>JACKET</b>
<input type="text"/>	<input type="text"/>	<input type="text"/>	<input type="text"/>	<input type="text"/>	<input type="text"/>
<input type="text"/>	<input type="text"/>	<input type="text"/>	<input type="text"/>	<input type="text"/>	<input type="text"/>
<input type="text"/>	<input type="text"/>	<input type="text"/>	<input type="text"/>	<input type="text"/>	<input type="text"/>
<b>8110</b>	<b>02"</b> thru <b>12"</b>	<b>Body:</b> <b>1 = Aluminum</b>	<b>A = 150# FF ANSI</b> <b>B = PN10 FF</b> <b>C = PN10/16 FF</b> <b>W = 125# FF ANSI</b>	<b>0 = 10 psig</b>	<b>0 = No Jacket</b> <b>1 = Jacket Included</b>

Notes:

- Include model number when ordering
- For special options, consult factory