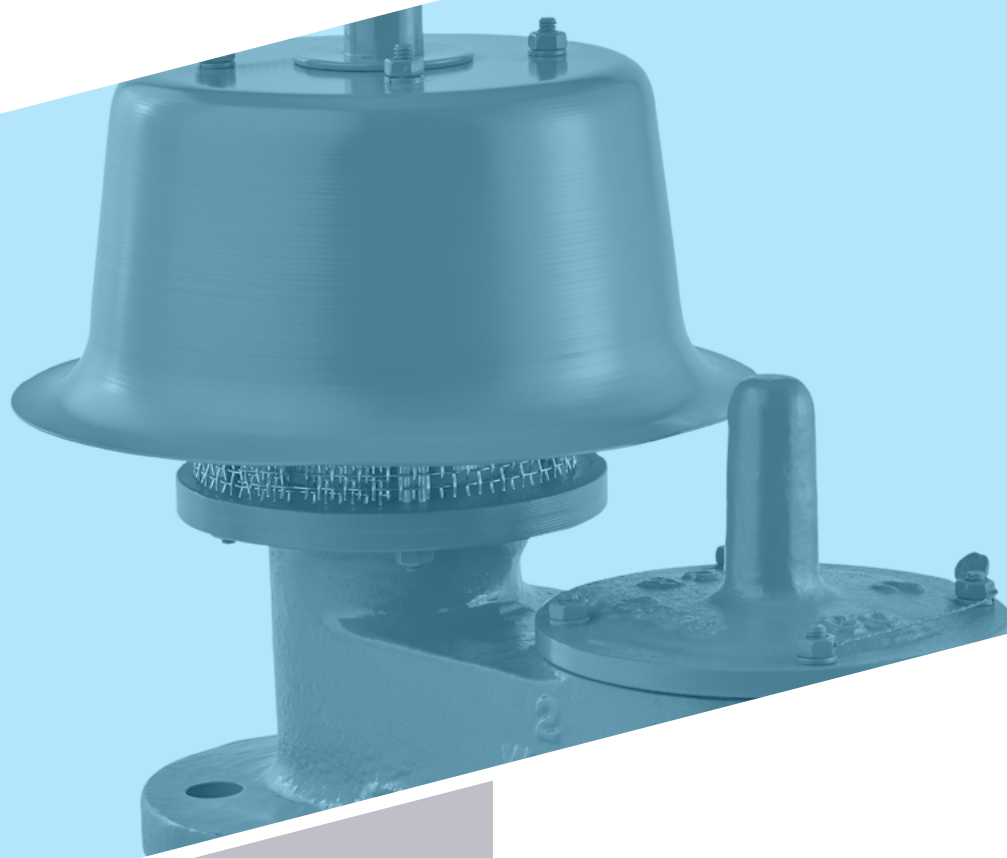




PRESSURE/VACUUM RELIEF VALVES

MODELS 1200A, 1201B, 1202B, 1203A



MODELS 1200A, 1201B, 1202B, 1203A

The Groth Models 1200A, 1201B, 1202B and 1203A Pressure/Vacuum Relief Valves are designed to protect your tank from damage created by overpressure or excessive vacuum. Costly product evaporation losses due to normal tank “breathing” are greatly reduced. Because the 1200 Series products retain toxic vapors, atmospheric contamination is minimized which helps to provide increased fire protection and safety.

Technical Details

- Sizes: 2” (DN 50) through 12” (DN 300)
- Pressure Settings: 0.5 oz/in² to 15 psig (2.15 mbarg to 1.03 barg)
- Vacuum Settings: 0.5 oz/in² to 12 psig (2.15 mbarg to 506 mbarg)
- Material: Aluminum, Carbon Steel, Stainless Steel, Fiberglass, special materials available upon request

Features

- Modular Construction
- Cushioned air seating
- Superior performing fluoropolymer diaphragms
- Self draining housing body and drip rings
- Peripheral Guiding and center stabilizing system for alignment
- PED and ATEX Certified

Options

- Buna-N, FKM
- Steam Jacket Valve



1200A



1201B



1202B



1203A

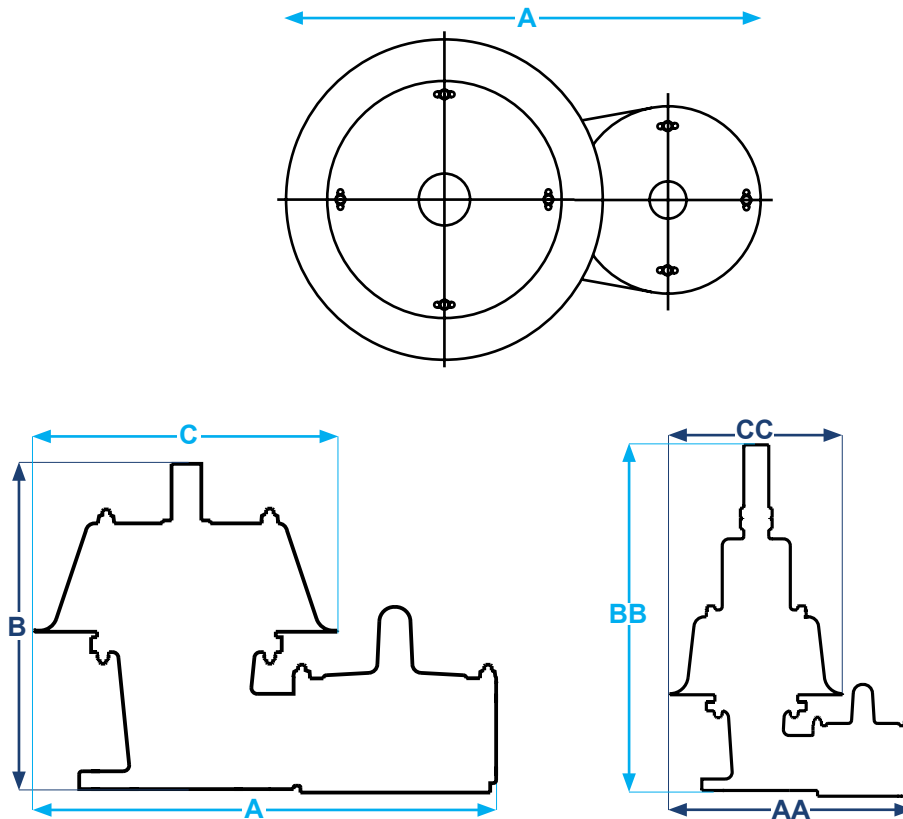
SPECIFICATIONS

Inlet Flg ^o In (mm)	Max. Set Pressure Weight Loaded	Max. Set Vacuum. Weight Loaded oz/in ² (gm/cm ²)	Max. Setting Spring Loaded	Min. Setting Weight Loaded	A Length In (mm)	B Height In (mm)	C Width In (mm)	AA Length In (mm)	BB Height In (mm)	CC Width In (mm)	Approx. Ship Wt. for Al Lbs (kg)
2 (50)		12 (52.7)			13.63 (346)	14 (355)	9.50 (241)	13.37 (340)	19.87 (505)	9.50 (241)	16 (7)
3 (80)		11 (48.3)			18 (457)	15 (381)	11.50 (292)	18.37 (467)	22.75 (578)	13 (330)	21 (9)
4 (100)	16 oz/in ² (70.3 gm/cm ²)	11 (48.3)	15 psig SPRING LOADED PRESSURE (1.05 kg/cm ²) 12 psig SPRING LOADED VACUUM (0.84 kg/cm ²)	*0.5 oz/in ² WEIGHT LOADED (2.20 gm/cm ²)	19.75 (502)	17.50 (444)	13 (330)	19.50 (495)	27.50 (699)	13 (330)	31 (14)
6 (150)		16 (70.3)			27.75 (704)	22.25 (565)	19 (483)	27.75 (705)	37.75 (959)	19.50 (495)	57 (26)
8 (200)		16 (70.3)			33.88 (860)	27.50 (699)	23.63 (600)	33.62 (854)	44.50 (1130)	23.50 (597)	75 (34)
10 (250)		16 (70.3)			40.88 (1038)	28.88 (733)	30.75 (781)	38 (965)	53 (1346)	25.50 (648)	116 (53)
12 (300)		16 oz/in ² (70.3 gm/cm ²)			46 (1168)	32.88 (835)	36 (914)	40.50 (1029)	55.62 (1413)	25.50 (648)	157 (71)

[†] W.P. = Working Pressure. // ^{*} On spring loaded valves, change model number.

^o 150# ANSI drilling compatibility, F.F. on aluminum and R.F. on carbon steel and stainless steel alloys.

Fiberglass dimensions on request. 16 oz/in² set with spacer. SS set weights—consult factory. *Some sizes require non-ferrous components to achieve 0.5 oz/in² setting. Specifications subject to change without notice. Certified dimensions available upon request.



MODEL 1200A/1202B PRESSURE RELIEF CAPACITY

Air Flow Capacity at 100% Overpressure (Double Set Pressure)
1000 Standard Cubic Feet per Hour at 60° F

Set Pressure (P _s)		Size In (mm)						
InWC	oz/in2	2 (50)	3 (80)	4 (100)	6 (150)	8 (200)	10 (250)	12 (300)
0.87	0.50	7.65	16.2	28.9	61.9	108	174	217
1.00	0.58	8.22	17.4	31.1	66.5	116	187	233
1.73	1.00	10.8	22.8	40.8	87.2	152	246	305
2.00	1.16	11.6	24.5	43.8	93.7	164	264	328
2.60	1.50	13.2	27.8	49.8	106	186	300	373
3.00	1.73	14.1	29.9	53.4	114	200	322	400
3.46	2.00	15.2	32.0	57.3	123	214	345	429
4.00	2.31	16.3	34.4	61.5	131	230	371	460
6.00	3.47	19.8	41.8	74.7	160	279	450	560
8.00	4.62	22.7	47.9	85.7	183	320	516	641
10.0	5.78	25.1	53.1	95.1	203	355	573	712
12.0	6.93	27.3	57.8	103	221	386	623	774
15.0	8.66	30.2	63.9	114	244	427	689	856
20.0	11.6	34.3	72.5	130	277	485	781	971
25.0	14.4	37.7	79.6	142	305	532	859	1067
30.0	17.3	40.6	85.7	153	328	573	925	1149

Flow Capacity Calculation

Flow capacity values listed above are based on full open valves at 100% overpressure. Read the flow capacity at 100% overpressure directly from the table above. Use linear interpolation if the set pressure is not listed. If the allowable overpressure is less than 100%, modify the flow capacity using the appropriate "C" factor from the table. If allowable overpressure is more than 100%, consult your Groth Representative.

Calculate the percentage overpressure by the following formula. Note that all pressures are gauge pressure expressed in the same units of measure.

P_f = Flowing pressure

P_s = Set pressure

$$\% \text{ OP} = [(P_f - P_s) / P_s] \times 100$$

Calculate flow capacity at less than 100% overpressure according to the following example.

Example Flow Capacity Calculation

6" Model 1200A

4 InWC set pressure [P_s]

7 InWC flowing pressure [P_f]

1. Read flow capacity at set pressure from table

Flow = 131,000 SCFH

2. Calculate overpressure

$$\% \text{ OP} = [(7 - 4) / 4] \times 100 = 75\%$$

3. Read "C" factor from table

"C" = 0.87

4. Calculate flow capacity

$$\text{Flow} = 0.87 \times 131,000 = 113,970 \text{ SCFH}$$

"C" Factor Table

%OP	0	1	2	3	4	5	6	7	8	9
10	0.42	0.43	0.44	0.45	0.46	0.46	0.47	0.48	0.49	0.50
20	0.51	0.52	0.52	0.53	0.54	0.55	0.56	0.56	0.57	0.58
30	0.59	0.59	0.60	0.61	0.61	0.62	0.63	0.64	0.64	0.65
40	0.66	0.66	0.67	0.68	0.68	0.69	0.70	0.70	0.71	0.72
50	0.72	0.73	0.73	0.74	0.75	0.75	0.76	0.77	0.77	0.78
60	0.78	0.79	0.80	0.80	0.81	0.81	0.82	0.82	0.83	0.84
70	0.84	0.85	0.85	0.86	0.86	0.87	0.88	0.88	0.89	0.89
80	0.90	0.90	0.91	0.91	0.92	0.92	0.93	0.93	0.94	0.94
90	0.95	0.95	0.96	0.96	0.97	0.97	0.98	0.99	0.99	1.00

Example to find "C" factor from table:

Read "C" factor for 75% overpressure at intersection of row 70 and column 5

"C" factor at 75% OP = 0.87

MODEL 1200A/1202B PRESSURE RELIEF CAPACITY

Air Flow Capacity at 100% Overpressure (Double Set Pressure)
1000 Normal Cubic Meters per Hour at 0° C

Set Pressure (Ps)		Size In (mm)						
mmWC	mb	2 (50)	3 (80)	4 (100)	6 (150)	8 (200)	10 (250)	12 (300)
22	2.16	0.22	0.46	0.82	1.74	3.05	4.91	6.11
50	4.90	0.32	0.68	1.22	2.62	4.58	7.38	9.17
75	7.35	0.40	0.83	1.49	3.19	5.58	9.00	11.2
100	9.80	0.45	0.96	1.72	3.67	6.42	10.4	12.9
125	12.3	0.51	1.07	1.91	4.09	7.15	11.5	14.3
150	14.7	0.55	1.17	2.09	4.47	7.81	12.6	15.6
175	17.2	0.59	1.26	2.25	4.81	8.4	13.5	16.8
200	19.6	0.63	1.34	2.39	5.12	8.95	14.4	17.9
225	22.1	0.67	1.41	2.53	5.41	9.46	15.3	18.9
250	24.5	0.70	1.49	2.66	5.68	9.93	16.0	19.9
275	27.0	0.73	1.55	2.78	5.94	10.4	16.7	20.8
300	29.4	0.76	1.62	2.89	6.18	10.8	17.4	21.6
375	36.8	0.85	1.79	3.20	6.84	12.0	19.3	23.9
500	49.0	0.96	2.03	3.63	7.76	13.6	21.9	27.2
625	61.3	1.05	2.23	3.99	8.52	14.9	24.0	29.9
750	73.5	1.14	2.40	4.29	9.18	16.1	25.9	32.2

Flow Capacity Calculation

Flow capacity values listed above are based on full open valves at 100% overpressure. Read the flow capacity at 100% overpressure directly from the table above. Use linear interpolation if the set pressure is not listed. If the allowable overpressure is less than 100%, modify the flow capacity using the appropriate "C" factor from the table. If allowable overpressure is more than 100%, consult your Groth Representative.

Calculate the percentage overpressure by the following formula. Note that all pressures are gauge pressure expressed in the same units of measure.

Pf = Flowing pressure

Ps = Set pressure

$$\% \text{ OP} = [(Pf - Ps) / Ps] \times 100$$

Calculate flow capacity at less than 100% overpressure according to the following example.

Example Flow Capacity Calculation

6" Model 1200A

100 mmWC Set Pressure [Ps]

175 mmWC Flowing Pressure [Pf]

1. Read flow capacity at set pressure from table

2. Calculate overpressure

3. Read "C" factor from table

4. Calculate flow capacity

Flow = 3,670 NCMH

$$\% \text{ OP} = [(175 - 100) / 100] \times 100 = 75\%$$

"C" = 0.87

$$\text{Flow} = 0.87 \times 3,670 = 3,193 \text{ NCMH}$$

"C" Factor Table

%OP	0	1	2	3	4	5	6	7	8	9
10	0.42	0.43	0.44	0.45	0.46	0.46	0.47	0.48	0.49	0.50
20	0.51	0.52	0.52	0.53	0.54	0.55	0.56	0.56	0.57	0.58
30	0.59	0.59	0.60	0.61	0.61	0.62	0.63	0.64	0.64	0.65
40	0.66	0.66	0.67	0.68	0.68	0.69	0.70	0.70	0.71	0.72
50	0.72	0.73	0.73	0.74	0.75	0.75	0.76	0.77	0.77	0.78
60	0.78	0.79	0.80	0.80	0.81	0.81	0.82	0.82	0.83	0.84
70	0.84	0.85	0.85	0.86	0.86	0.87	0.88	0.88	0.89	0.89
80	0.90	0.90	0.91	0.91	0.92	0.92	0.93	0.93	0.94	0.94
90	0.95	0.95	0.96	0.96	0.97	0.97	0.98	0.99	0.99	1.00

Example to find "C" factor from table:

Read "C" factor for 75% overpressure at intersection of row 70 and column 5

"C" factor at 75% OP = 0.87

MODEL 1200A/1201B VACUUM RELIEF CAPACITY

Air Flow Capacity at 100% Over-Vacuum (Double Set Vacuum)
1000 Standard Cubic Feet per Hour at 60° F

Set Vacuum (P _s)		Size In (mm)						
InWC	oz/in ²	2 (50)	3 (80)	4 (100)	6 (150)	8 (200)	10 (250)	12 (300)
0.87	0.50	4.70	10.3	16.0	34.7	60.5	91.1	129
1.00	0.58	5.05	11.0	17.2	37.3	65.0	97.9	138
1.73	1.00	6.63	14.5	22.6	49.0	85.3	129	182
2.00	1.16	7.12	15.6	24.2	52.6	91.6	138	195
2.60	1.50	8.10	17.7	27.6	59.8	104	157	222
3.00	1.73	8.70	19.0	29.6	64.2	112	169	238
3.46	2.00	9.33	20.4	31.8	68.9	120	181	256
4.00	2.31	10.0	21.9	34.1	74.0	129	194	274
6.00	3.47	12.2	26.7	41.5	90.1	157	237	334
8.00	4.62	14.0	30.6	47.7	103	180	272	384
10.0	5.78	15.6	34.0	53.0	115	200	302	427
12.0	6.93	17.0	37.1	57.8	125	218	329	465
15.0	8.66	18.8	41.1	64.0	139	242	365	516
20.0	11.6	21.4	46.8	72.9	158	276	415	587
25.0	14.4	23.6	51.5	80.3	174	304	457	646
30.0	17.3	25.4	55.6	86.6	188	327	493	697

Flow Capacity Calculation

Flow capacity values listed above are based on full open valves at 100% over-vacuum. Read the flow capacity at 100% over-vacuum directly from the table above. Use linear interpolation if the set vacuum is not listed.

If the allowable over-vacuum is less than 100%, modify the flow capacity using the appropriate “C” factor from the table. If allowable over-vacuum is more than 100%, consult your Groth Representative.

Calculate the percentage over-vacuum by the following formula. Note that all pressures are gauge pressure expressed in the same units of measure.

P_f = Flowing pressure

P_s = Set pressure

$$\% \text{ OV} = [(P_f - P_s) / P_s] \times 100$$

Calculate flow capacity at less than 100% over-vacuum according to the following example.

Example Flow Capacity Calculation

6” Model 1200A

4 InWC Set Vacuum [P_s]

7 InWC Flowing Vacuum [P_f]

1. Read flow capacity at set vacuum from table

2. Calculate over-vacuum

3. Read “C” factor from table

4. Calculate flow capacity

Flow = 74,000 SCFH

$$\% \text{ OV} = [(7 - 4) / 4] \times 100 = 75\%$$

“C” = 0.87

$$\text{Flow} = 0.87 \times 74,000 = 64,380 \text{ SCFH}$$

%OV	0	1	2	3	4	5	6	7	8	9
10	0.42	0.43	0.44	0.45	0.46	0.46	0.47	0.48	0.49	0.50
20	0.51	0.52	0.52	0.53	0.54	0.55	0.56	0.56	0.57	0.58
30	0.59	0.59	0.60	0.61	0.61	0.62	0.63	0.64	0.64	0.65
40	0.66	0.66	0.67	0.68	0.68	0.69	0.70	0.70	0.71	0.72
50	0.72	0.73	0.73	0.74	0.75	0.75	0.76	0.77	0.77	0.78
60	0.78	0.79	0.80	0.80	0.81	0.81	0.82	0.82	0.83	0.84
70	0.84	0.85	0.85	0.86	0.86	0.87	0.88	0.88	0.89	0.89
80	0.90	0.90	0.91	0.91	0.92	0.92	0.93	0.93	0.94	0.94
90	0.95	0.95	0.96	0.96	0.97	0.97	0.98	0.99	0.99	1.00

Example to find “C” factor from table:

Read “C” factor for 75% over-vacuum at intersection of row 70 and column 5

“C” factor at 75% OV = 0.87

MODEL 1200A/1201B VACUUM RELIEF CAPACITY

Air Flow Capacity at 100% Over-Vacuum (Double Set Vacuum)
1000 Normal Cubic Meters per Hour at 0° C

Set Vacuum (P _s)		Size In (mm)						
mmWC	mb	2 (50)	3 (80)	4 (100)	6 (150)	8 (200)	10 (250)	12 (300)
22	2.16	0.13	0.29	0.45	0.98	1.71	2.58	3.65
50	4.90	0.20	0.44	0.68	1.48	2.58	3.88	5.48
75	7.35	0.24	0.53	0.83	1.81	3.15	4.74	6.70
100	9.80	0.28	0.62	0.96	2.08	3.62	5.46	7.72
125	12.3	0.31	0.69	1.07	2.32	4.04	6.09	8.60
150	14.7	0.34	0.75	1.17	2.53	4.41	6.65	9.40
175	17.2	0.37	0.81	1.26	2.73	4.75	7.16	10.1
200	19.6	0.39	0.86	1.34	2.91	5.07	7.64	10.8
225	22.1	0.42	0.91	1.42	3.08	5.36	8.08	11.4
250	24.5	0.44	0.96	1.49	3.23	5.64	8.49	12.0
275	27.0	0.46	1.00	1.56	3.38	5.90	8.88	12.6
300	29.4	0.48	1.04	1.62	3.52	6.14	9.25	13.1
375	36.8	0.53	1.16	1.80	3.91	6.81	10.3	14.5
500	49.0	0.60	1.32	2.05	4.45	7.75	11.7	16.5
625	61.3	0.66	1.45	2.26	4.90	8.54	12.9	18.2
750	73.5	0.72	1.57	2.44	5.29	9.22	13.9	19.6

Flow Capacity Calculation

Flow capacity values listed above are based on full open valves at 100% over-vacuum. Read the flow capacity at 100% over-vacuum directly from the table above. Use linear interpolation if the set vacuum is not listed.

If the allowable over-vacuum is less than 100%, modify the flow capacity using the appropriate "C" factor from the table. If allowable over-vacuum is more than 100%, consult your Groth Representative.

Calculate the percentage over-vacuum by the following formula. Note that all pressures are gauge pressure expressed in the same units of measure.

P_f = Flowing pressure

P_s = Set pressure

$$\% \text{ OV} = [(P_f - P_s) / P_s] \times 100$$

Calculate flow capacity at less than 100% over-vacuum according to the following example.

Example Flow Capacity Calculation

6" Model 1200A

100 mmWC Set Vacuum [P_s]

175 mmWC Flowing Vacuum [P_f]

1. Read flow capacity at set vacuum from table

2. Calculate over-vacuum

3. Read "C" factor from table

4. Calculate flow capacity

Flow = 2,080 NCMH

$$\% \text{ OV} = [(175 - 100) / 100] \times 100 = 75\%$$

"C" = 0.87

$$\text{Flow} = 0.87 \times 2,080 = 1,810 \text{ NCMH}$$

"C" Factor Table

%OV	0	1	2	3	4	5	6	7	8	9
10	0.42	0.43	0.44	0.45	0.46	0.46	0.47	0.48	0.49	0.50
20	0.51	0.52	0.52	0.53	0.54	0.55	0.56	0.56	0.57	0.58
30	0.59	0.59	0.60	0.61	0.61	0.62	0.63	0.64	0.64	0.65
40	0.66	0.66	0.67	0.68	0.68	0.69	0.70	0.70	0.71	0.72
50	0.72	0.73	0.73	0.74	0.75	0.75	0.76	0.77	0.77	0.78
60	0.78	0.79	0.80	0.80	0.81	0.81	0.82	0.82	0.83	0.84
70	0.84	0.85	0.85	0.86	0.86	0.87	0.88	0.88	0.89	0.89
80	0.90	0.90	0.91	0.91	0.92	0.92	0.93	0.93	0.94	0.94
90	0.95	0.95	0.96	0.96	0.97	0.97	0.98	0.99	0.99	1.00

Example to find "C" factor from table:

Read "C" factor for 75% over-vacuum at intersection of row 70 and column 5

"C" factor at 75% OV = 0.87

MODEL 1201B/1203A PRESSURE RELIEF CAPACITY

Air Flow Capacity at 100% Overpressure (Double Set Pressure)
1000 Standard Cubic Feet per Hour at 60° F

Set Pressure (P _s)	Size In (mm)						
psig	2 (50)	3 (80)	4 (100)	6 (150)	8 (200)	10 (250)	12 (300)
1.00	28.0	53.4	92.5	210	345	529	739
2.00	40.3	77.4	134	304	500	767	1070
3.00	50.2	96.9	168	381	625	960	1340
4.00	58.8	114	198	448	736	1130	1577
5.00	66.5	130	225	510	838	1286	1794
6.00	73.7	144	250	568	932	1431	1997
7.00	80.4	158	274	622	1022	1568	2188
8.00	86.7	171	297	674	1107	1699	2371
9.00	92.8	184	319	724	1189	1825	2546
10.0	98.6	196	340	772	1267	1945	2714
11.0	104	208	360	818	1343	2062	2877
12.0	110	219	380	863	1417	2176	3036
13.0	115	231	400	907	1489	2286	3189
14.0	120	241	418	949	1559	2393	3339
15.0	125	252	437	991	1627	2498	3486

Flow Capacity Calculation

Flow capacity values listed above are based on full open valves at 100% overpressure. Read the flow capacity at 100% overpressure directly from the table above. Use linear interpolation if the set pressure is not listed. If the allowable overpressure is less than 100%, modify the flow capacity using the appropriate “C” factor from the table. If allowable overpressure is more than 100%, consult your Groth Representative.

Calculate the percentage overpressure by the following formula. Note that all pressures are gauge pressure expressed in the same units of measure.

P_f = Flowing pressure

P_s = Set pressure

$$\% \text{ OP} = [(P_f - P_s) / P_s] \times 100$$

Calculate flow capacity at less than 100% overpressure according to the following example.

Example Flow Capacity Calculation

6” Model 1201B

4 psig Set Pressure [P_s]

7 psig Flowing Pressure [P_f]

1. Read flow capacity at set pressure from table Flow = 448,000 SCFH

2. Calculate overpressure % OP = [(7 - 4) / 4] x 100 = 75%

3. Read “C” factor from table “C” = 0.83

4. Calculate flow capacity Flow = 0.83 x 448,000 = 371,840 SCFH

“C” Factor Table

%OP	0	1	2	3	4	5	6	7	8	9
10	*** Consult Factory***									
20	0.27	0.29	0.30	0.32	0.33	0.35	0.36	0.38	0.39	0.40
30	0.42	0.43	0.44	0.45	0.47	0.48	0.49	0.50	0.51	0.52
40	0.53	0.54	0.55	0.56	0.57	0.58	0.59	0.60	0.61	0.62
50	0.63	0.64	0.65	0.66	0.67	0.67	0.68	0.69	0.70	0.71
60	0.72	0.72	0.73	0.74	0.75	0.76	0.76	0.77	0.78	0.79
70	0.80	0.80	0.81	0.82	0.82	0.83	0.84	0.85	0.85	0.86
80	0.87	0.87	0.88	0.89	0.90	0.90	0.91	0.92	0.92	0.93
90	0.94	0.94	0.95	0.96	0.96	0.97	0.97	0.98	0.99	1.00

Example to find “C” factor from table:

Read “C” factor for 75% overpressure at intersection of row 70 and column 5

“C” factor at 75% OP = 0.83

MODEL 1201B/1203A PRESSURE RELIEF CAPACITY

Air Flow Capacity at 100% Overpressure (Double Set Pressure)
1000 Normal Cubic Meters per Hour at 0° C

Set Pressure (P _s)	Size In (mm)						
barg	2 (50)	3 (80)	4 (100)	6 (150)	8 (200)	10 (250)	12 (300)
0.07	0.82	1.57	2.72	6.16	10.1	15.5	21.7
0.10	0.99	1.89	3.28	7.45	12.2	18.8	26.2
0.15	1.23	2.36	4.09	9.28	15.2	23.4	32.6
0.20	1.43	2.76	4.80	10.9	17.9	27.4	38.3
0.25	1.62	3.14	5.44	12.3	20.3	31.1	43.4
0.30	1.79	3.48	6.04	13.7	22.5	34.5	48.2
0.35	1.95	3.81	6.61	15.0	24.6	37.8	52.7
0.40	2.10	4.12	7.14	16.2	26.6	40.9	57.0
0.45	2.25	4.41	7.66	17.4	28.5	43.8	61.1
0.50	2.39	4.70	8.16	18.5	30.4	46.6	65.1
0.55	2.52	4.98	8.64	19.6	32.2	49.4	68.9
0.60	2.65	5.25	9.10	20.6	33.9	52.1	72.6
0.70	2.89	5.76	10.0	22.7	37.2	57.2	79.7
0.80	3.13	6.25	10.8	24.6	40.4	62.1	86.5
0.90	3.35	6.72	11.7	26.5	43.5	66.7	93.1
1.00	3.56	7.18	12.5	28.3	46.4	71.2	99.4

Flow Capacity Calculation

Flow capacity values listed above are based on full open valves at 100% overpressure. Read the flow capacity at 100% overpressure directly from the table above. Use linear interpolation if the set pressure is not listed. If the allowable overpressure is less than 100%, modify the flow capacity using the appropriate "C" factor from the table. If allowable overpressure is more than 100%, consult your Groth Representative.

Calculate the percentage overpressure by the following formula. Note that all pressures are gauge pressure expressed in the same units of measure.

Pf = Flowing pressure

Ps = Set pressure

$$\% \text{ OP} = [(P_f - P_s) / P_s] \times 100$$

Calculate flow capacity at less than 100% overpressure according to the following example.

Example Flow Capacity Calculation

6" Model 1201B

0.4 barg Set Pressure [P_s]

0.7 barg Flowing Pressure [P_f]

1. Read flow capacity at set pressure from table Flow = 16,200 NCMH

2. Calculate overpressure

$$\% \text{ OP} = [(0.7 - 0.4) / 0.4] \times 100 = 75\%$$

3. Read "C" factor from table

$$\text{"C"} = 0.83$$

4. Calculate flow capacity

$$\text{Flow} = 0.83 \times 16,200 = 13,446 \text{ NCMH}$$

"C" Factor Table

%OP	0	1	2	3	4	5	6	7	8	9
10	*** Consult Factory***									
20	0.27	0.29	0.30	0.32	0.33	0.35	0.36	0.38	0.39	0.40
30	0.42	0.43	0.44	0.45	0.47	0.48	0.49	0.50	0.51	0.52
40	0.53	0.54	0.55	0.56	0.57	0.58	0.59	0.60	0.61	0.62
50	0.63	0.64	0.65	0.66	0.67	0.67	0.68	0.69	0.70	0.71
60	0.72	0.72	0.73	0.74	0.75	0.76	0.76	0.77	0.78	0.79
70	0.80	0.80	0.81	0.82	0.82	0.83	0.84	0.85	0.85	0.86
80	0.87	0.87	0.88	0.89	0.90	0.90	0.91	0.92	0.92	0.93
90	0.94	0.94	0.95	0.96	0.96	0.97	0.97	0.98	0.99	1.00

Example to find "C" factor from table:

Read "C" factor for 75% overpressure at intersection of row 70 and column 5

"C" factor at 75% OP = 0.83

MODEL 1202B/1203A VACUUM RELIEF CAPACITY

Air Flow Capacity at 100% Over-Vacuum (Double Set Vacuum)
1000 Standard Cubic Feet per Hour at 60° F

Set Vacuum (P _s)	Size In (mm)						
psig	2 (50)	3 (80)	4 (100)	6 (150)	8 (200)	10 (250)	12 (300)
1.00	13.8	30.5	52.9	120	197	302	422
1.10	14.5	31.9	55.4	126	206	316	442
1.20	15.1	33.2	57.7	131	215	330	460
1.30	15.7	34.5	59.9	136	223	342	478
1.40	16.2	35.7	62.0	141	231	355	495
1.50	16.8	36.9	64.0	145	239	366	511
1.75	18.0	39.6	68.7	156	256	393	548
2.00	19.1	42.0	73.0	166	272	417	582
2.25	20.1	44.3	76.9	174	286	439	613
2.50	21.0	46.3	80.4	183	300	460	641
2.75	21.9	48.2	83.7	190	312	478	667
3.00	22.7	49.9	86.6	197	323	495	691
3.25	23.4	51.4	89.3	203	333	511	713
3.50	24.0	52.8	91.8	208	342	525	732
>3.50	CONSULT FACTORY FOR VACUUM SETTINGS GREATER THAN 3.5 PSIG						

Flow Capacity Calculation

Flow capacity values listed above are based on full open valves at 100% over-vacuum. Read the flow capacity at 100% over-vacuum directly from the table above. Use linear interpolation if the set pressure is not listed. If the allowable over-vacuum is less than 100%, modify the flow capacity using the appropriate "C" factor from the table. If allowable over-vacuum is more than 100%, consult your Groth Representative.

Calculate the percentage over-vacuum by the following formula. Note that all pressures are gauge pressure expressed in the same units of measure.

Pf = Flowing pressure

Ps = Set pressure

$$\% \text{ OV} = [(P_f - P_s) / P_s] \times 100$$

Calculate flow capacity at less than 100% over-vacuum according to the following example.

Example Flow Capacity Calculation

6" Model 1202B

2 psig Set Vacuum [P_s]

3.5 psig Flowing Vacuum [P_f]

1. Read flow capacity at set vacuum from table

2. Calculate over-vacuum

3. Read "C" factor from table

4. Calculate flow capacity

Flow = 166,000 SCFH

$$\% \text{ OV} = [(3.50 - 2.0) / 2.0] \times 100 = 75\%$$

"C" = 0.83

$$\text{Flow} = 0.83 \times 166,000 = 137,780 \text{ SCFH}$$

"C" Factor Table										
%OV	0	1	2	3	4	5	6	7	8	9
10	... Consult Factory ...									
20	0.27	0.29	0.30	0.32	0.33	0.35	0.36	0.38	0.39	0.40
30	0.42	0.43	0.44	0.45	0.47	0.48	0.49	0.50	0.51	0.52
40	0.53	0.54	0.55	0.56	0.57	0.58	0.59	0.60	0.61	0.62
50	0.63	0.64	0.65	0.66	0.67	0.67	0.68	0.69	0.70	0.71
60	0.72	0.72	0.73	0.74	0.75	0.76	0.76	0.77	0.78	0.79
70	0.80	0.80	0.81	0.82	0.82	0.83	0.84	0.85	0.85	0.86
80	0.87	0.87	0.88	0.89	0.90	0.90	0.91	0.92	0.92	0.93
90	0.94	0.94	0.95	0.96	0.96	0.97	0.97	0.98	0.99	1.00

Example to find "C" factor from table:

Read "C" factor for 75% over-vacuum at intersection of row 70 and column 5

"C" factor at 75% OV = 0.83

MODEL 1202B/1203A VACUUM RELIEF CAPACITY

Air Flow Capacity at 100% Over-Vacuum (Double Set Vacuum)
1000 Normal Cubic Meters per Hour at 0° C

Set Vacuum (P _s)	Size In (mm)						
barg	2 (50)	3 (80)	4 (100)	6 (150)	8 (200)	10 (250)	12(300)
0.07	0.41	0.90	1.55	3.52	5.77	8.87	12.4
0.10	0.48	1.06	1.83	4.16	6.83	10.5	14.6
0.11	0.51	1.11	1.92	4.35	7.14	11.0	15.3
0.12	0.53	1.15	1.99	4.53	7.43	11.4	15.9
0.13	0.55	1.20	2.07	4.69	7.70	11.8	16.5
0.14	0.56	1.24	2.14	4.85	7.96	12.2	17.1
0.15	0.58	1.27	2.20	5.00	8.21	12.6	17.6
0.16	0.60	1.31	2.27	5.14	8.44	13.0	18.1
0.17	0.61	1.35	2.33	5.28	8.66	13.3	18.6
0.18	0.63	1.38	2.38	5.41	8.88	13.6	19.0
0.19	0.64	1.41	2.44	5.53	9.08	13.9	19.4
0.20	0.66	1.44	2.49	5.65	9.27	14.2	19.8
0.22	0.68	1.49	2.58	5.86	9.62	14.8	20.6
0.24	0.70	1.54	2.67	6.05	9.93	15.2	21.3
>0.24	CONSULT FACTORY FOR VACUUM SETTINGS GREATER THAN 0.24 BARG						

Flow Capacity Calculation

Flow capacity values listed above are based on full open valves at 100% over-vacuum. Read the flow capacity at 100% over-vacuum directly from the table above. Use linear interpolation if the set pressure is not listed. If the allowable over-vacuum is less than 100%, modify the flow capacity using the appropriate "C" factor from the table. If allowable over-vacuum is more than 100%, consult your Groth Representative.

Calculate the percentage over-vacuum by the following formula. Note that all pressures are gauge pressure expressed in the same units of measure.

Pf = Flowing pressure

Ps = Set pressure

$$\% \text{ OV} = [(P_f - P_s) / P_s] \times 100$$

Calculate flow capacity at less than 100% over-vacuum according to the following example.

Example Flow Capacity Calculation

6" Model 1202B

0.12 barg Set Vacuum [P_s]

0.17 barg Flowing Vacuum [P_f]

1. Read flow capacity at set vacuum from table

2. Calculate over-vacuum

3. Read "C" factor from table

4. Calculate flow capacity

Flow = 4,530 NCMH

$$\% \text{ OV} = [(0.17 - 0.12) / 0.12] \times 100 = 42\%$$

"C" = 0.55

$$\text{Flow} = 0.55 \times 4,530 = 2,492 \text{ NCMH}$$

"C" Factor Table

%OV	0	1	2	3	4	5	6	7	8	9
10	*** Consult Factory ***									
20	0.27	0.29	0.30	0.32	0.33	0.35	0.36	0.38	0.39	0.40
30	0.42	0.43	0.44	0.45	0.47	0.48	0.49	0.50	0.51	0.52
40	0.53	0.54	0.55	0.56	0.57	0.58	0.59	0.60	0.61	0.62
50	0.63	0.64	0.65	0.66	0.67	0.67	0.68	0.69	0.70	0.71
60	0.72	0.72	0.73	0.74	0.75	0.76	0.76	0.77	0.78	0.79
70	0.80	0.80	0.81	0.82	0.82	0.83	0.84	0.85	0.85	0.86
80	0.87	0.87	0.88	0.89	0.90	0.90	0.91	0.92	0.92	0.93
90	0.94	0.94	0.95	0.96	0.96	0.97	0.97	0.98	0.99	1.00

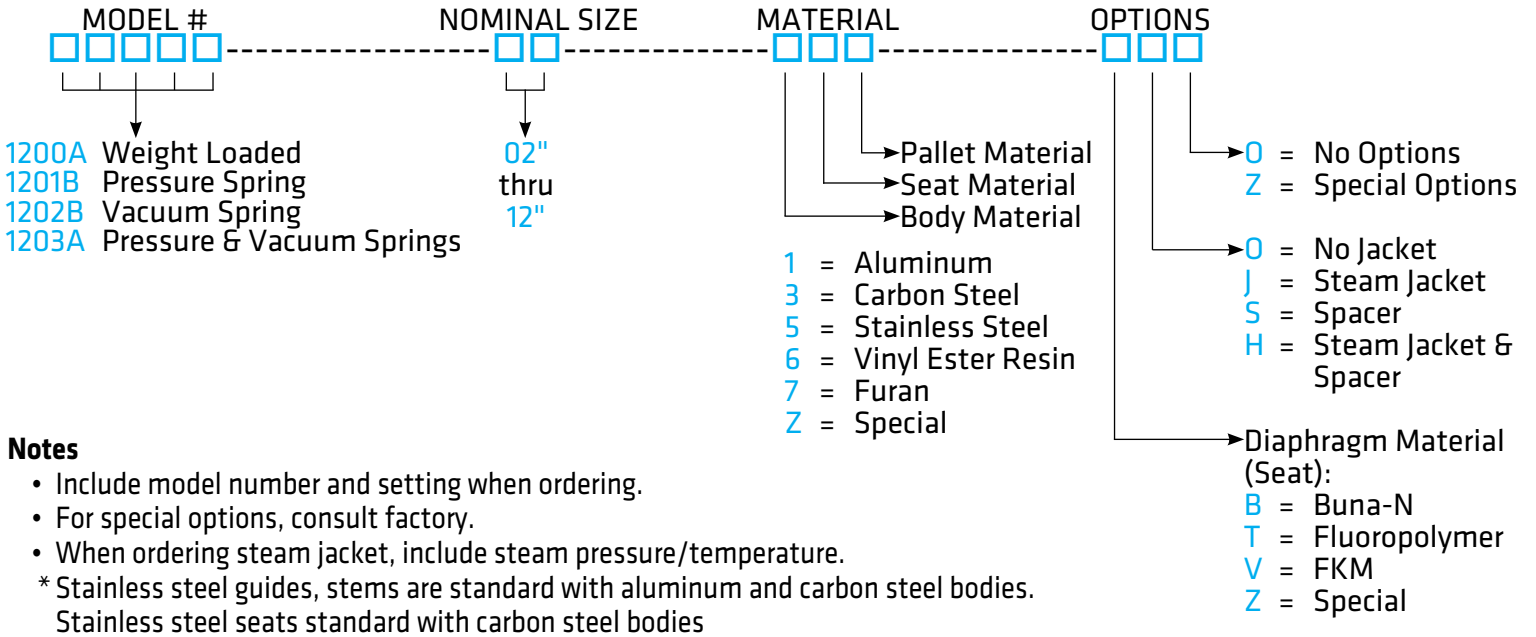
Example to find "C" factor from table:

Read "C" factor for 72% over-vacuum at intersection of row 40 and column

"C" factor at 42% OV = 0.55

HOW TO ORDER

For easy ordering, select proper model numbers



Notes

- Include model number and setting when ordering.
- For special options, consult factory.
- When ordering steam jacket, include steam pressure/temperature.
- * Stainless steel guides, stems are standard with aluminum and carbon steel bodies.
Stainless steel seats standard with carbon steel bodies

Example

1 2 0 0 A - 0 2 - 1 1 5 - T 0 0

Indicates a 2" Model 1200A with Aluminum Body and Seat, Stainless Steel Pallet, Fluoropolymer Seat Diaphragm, and no other options.



GROTHCORP.COM