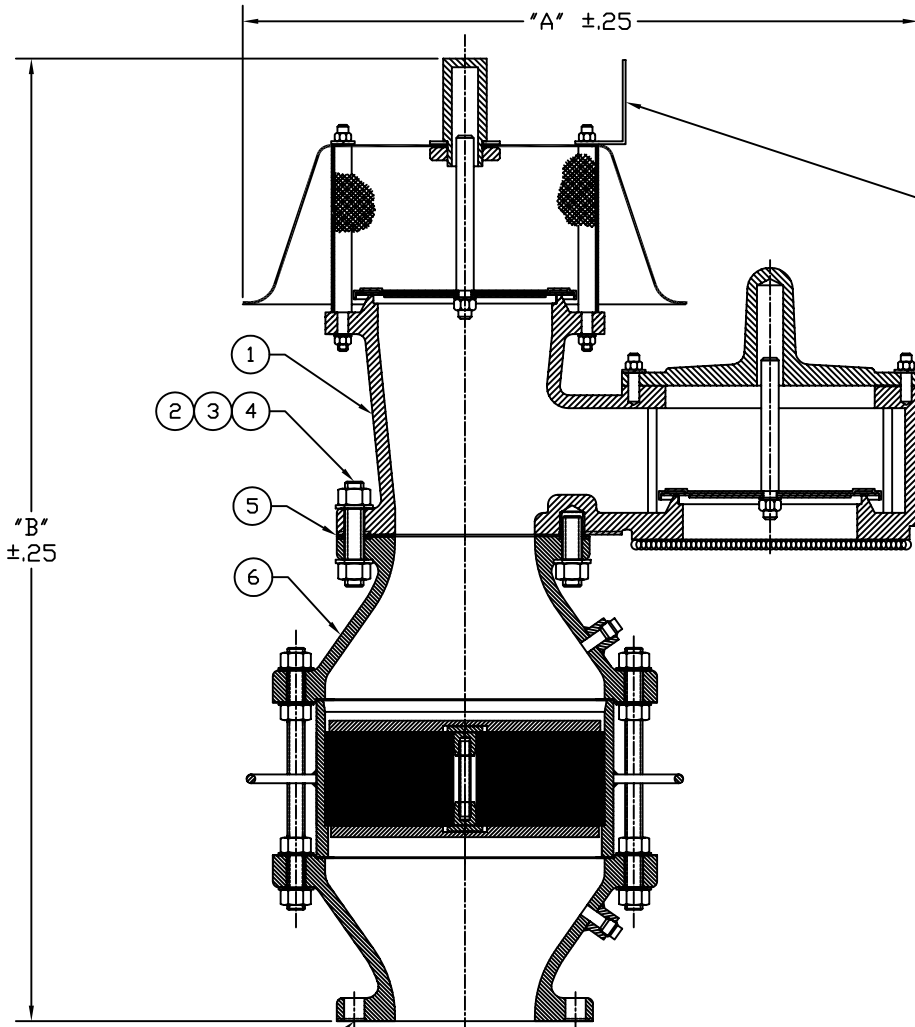


DESCRIPTION

MODEL 8800
 MODEL 1200 PRESSURE/VACUUM RELIEF
 w/MODEL 7618 FLAME ARRESTER



NOTE: DO NOT PICK UP
 ENTIRE UNIT W/
 LIFTING LUG SHOWN
 (IT IS FOR HANDLING
 1200A VALVE ONLY.)

D=DIA OF HOLES
 E=NO OF HOLES
 F=BOLT CIRCLE DIA

NOTE: "C" DIMENSION (NOT SHOWN) IS MAX. WIDTH.

SIZE	FLANGE DRILLING	A		B		C		D		E	F	
		in.	mm.	in.	mm.	in.	mm.	in.	mm.			
2"	#150 ANSI	13.38	340	27.63	702	9.50	241	.75	19	4	4.75	121
3"	#150 ANSI	17.75	451	30.50	775	11.50	292	.75	19	4	6.00	152
4"	#150 ANSI	19.25	489	35.13	892	13.00	330	.75	19	8	7.50	191
6"	#150 ANSI	27.75	705	43.63	1108	19.13	486	.88	22	8	9.50	241
8"	#150 ANSI	33.75	857	51.13	1299	23.75	603	.88	22	8	11.75	298
10"	#150 ANSI	40.88	1038	58.63	1489	30.88	784	1.00	25	12	14.25	362
12"	#150 ANSI	45.75	1162	65.38	1661	35.50	902	1.00	25	12	17.00	432

TAGS AND SPECIFICATIONS

THIS DRAWING EMBODIES A CONFIDENTIAL PROPRIETARY DESIGN ORIGINATED BY GROTH CORPORATION, AND ALL DESIGN, MANUFACTURING, REPRODUCTION, USE AND SALE RIGHTS, REGARDING THE SAME ARE EXPRESSLY RESERVED. IT IS SUBMITTED UNDER A CONFIDENTIAL RELATIONSHIP FOR A SPECIFIED PURPOSE, AND THE RECIPIENT AGREES BY ACCEPTING THIS DRAWING NOT TO SUPPLY OR DISCLOSE ANY INFORMATION REGARDING IT TO ANY UNAUTHORIZED PERSONS OR TO INCORPORATE IN OTHER PROJECTS ANY SPECIAL FEATURES PECULIAR TO THIS DESIGN. ALL PATENTS RIGHTS HERETO ARE EXPRESSLY RESERVED BY GROTH CORPORATION, 1202 HAHLO, HOUSTON, TEXAS 77020

REV.	DATE	BY	ECN NO.
A	06/20/97	ESQ	97059
B	09/14/01	MP	10289



GROTH CORPORATION
 a Continental Disc Company
 HOUSTON, TEXAS

APPROVED BY:	CHECKED BY:	DWG. NO. : C-84549
DATE:	DATE:	DWN BY: MP

MODEL 8800

GROTH CORPORATION

HOUSTON TX, USA

BILL OF MATERIAL

ITEM	DESCRIPTION	STANDARD MATERIALS OF CONSTRUCTION (1)			OPTIONAL FEATURES (2)
		ALUMINUM <input type="checkbox"/>	CARBON STL <input type="checkbox"/>	316 SS <input type="checkbox"/>	<input type="checkbox"/>
1	MODEL 1200 VALVE	ALUM	CS	316 SS	
2	STUD	SS	SS	SS	
3	HEX NUT	SS	SS	SS	
4	LOCK WASHER	SS	SS	SS	
5	* GASKET	NON-ASB	NON-ASB	NON-ASB	
6	MODEL 7618 ARRESTER	ALUM	CS	316 SS	

* SPARE PARTS

(1) CHECK BOX FOR MATERIAL SELECTION.

(2) CHECK OPTIONAL FEATURES BOX WHEN APPLICABLE.

DWG. NUMBER:
BOM NUMBER:

C-84549
84549BOM

REV. B
REV. A



a Continental Disc Company