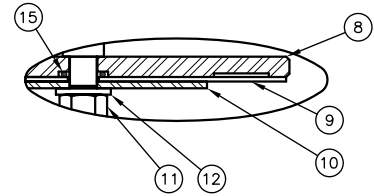
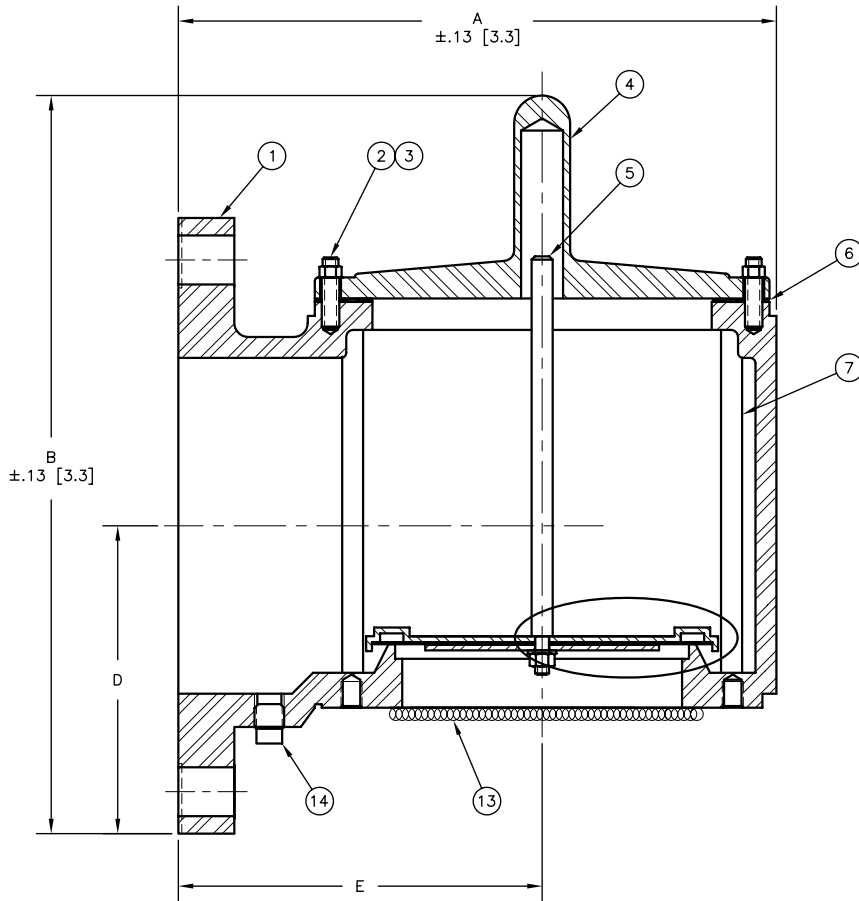
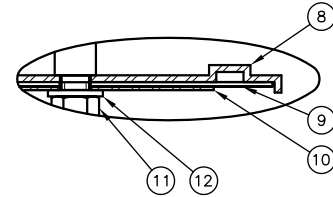


DESCRIPTION

MODEL 1360A
VACUUM RELIEF VENT
WEIGHT LOADED



PALLET ASSEMBLY
(PLATE PALLET)
DETAIL



PALLET ASSEMBLY
(SPUN PALLET)
DETAIL

| SIZE | A | | B | | C | | D | | E | |
|------|-------|-----|-------|-----|-------|-----|-------|-----|-------|-----|
| | IN | MM | IN | MM | IN | MM | IN | MM | IN | MM |
| 2" | 7.75 | 197 | 11.25 | 286 | 6.50 | 165 | 3.25 | 83 | 4.75 | 121 |
| 3" | 8.50 | 216 | 9.25 | 235 | 7.50 | 191 | 3.75 | 95 | 5.50 | 140 |
| 4" | 10.00 | 254 | 11.25 | 286 | 9.00 | 229 | 4.50 | 114 | 6.00 | 152 |
| 6" | 10.75 | 273 | 14.00 | 356 | 11.00 | 279 | 5.50 | 140 | 6.50 | 165 |
| 8" | 14.50 | 368 | 17.88 | 454 | 13.50 | 343 | 6.75 | 171 | 8.50 | 216 |
| 10" | 18.13 | 461 | 21.50 | 546 | 16.00 | 406 | 8.00 | 203 | 10.75 | 273 |
| 12" | 20.75 | 527 | 25.50 | 648 | 19.00 | 483 | 9.50 | 241 | 12.50 | 318 |
| 14" | 24.25 | 616 | 28.75 | 730 | 21.00 | 533 | 10.50 | 267 | 15.00 | 381 |

NOTES:

1. "C" DIMENSION (NOT SHOWN) IS MAX. WIDTH.
2. SEE DWG C-92526 FOR ANSI, PN10/PN16 & JIS10K DRILLING PATTERNS.

TAGS AND SPECIFICATIONS

THIS DRAWING EMBODIES A CONFIDENTIAL PROPRIETARY DESIGN ORIGINATED BY GROTH CORPORATION, AND ALL DESIGN, MANUFACTURING, REPRODUCTION, USE AND SALE RIGHTS, REGARDING THE SAME ARE EXPRESSLY RESERVED. IT IS SUBMITTED UNDER A CONFIDENTIAL RELATIONSHIP FOR A SPECIFIC PURPOSE, AND THE RECIPIENT AGREES BY ACCEPTING THIS DRAWING NOT TO SUPPLY OR DISCLOSE ANY INFORMATION REGARDING IT TO ANY UNAUTHORIZED PERSONS OR TO INCORPORATE IN OTHER PROJECTS, ANY SPECIAL FEATURES PECULIAR TO THIS DESIGN. ALL PATENTS RIGHTS HERETO ARE EXPRESSLY RESERVED BY GROTH CORPORATION, 13650 N. PROMENADE, STAFFORD, TX. 77477

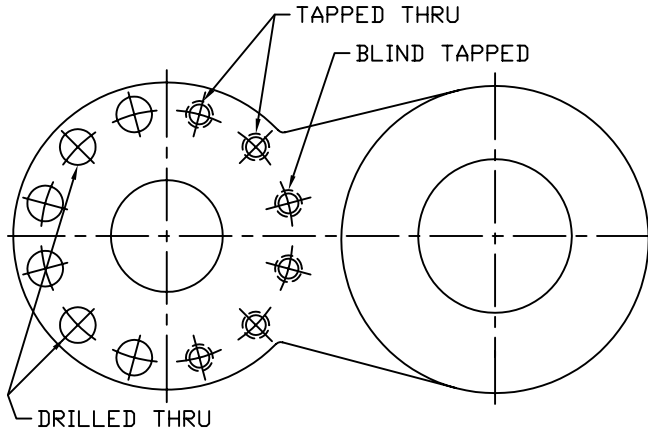
| | | | |
|------|----------|-----|-------------|
| | | | |
| | | | |
| | | | |
| R | 8-19-05 | KR | 10848 |
| P | 8-22-01 | ESQ | 10276 |
| N | 10-10-94 | ESQ | 940147 |
| REV. | DATE | BY | DESCRIPTION |



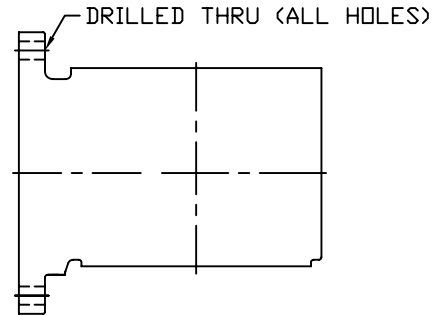
a Continental Disc Company
13650 N. Promenade Blvd.
Stafford, Texas
77477

| | | | |
|-----------------------------|---------------------------|-----------|-------------|
| APPROVED BY: M. ANDERSON | CHECKED BY: G. SENTENO | DWG. NO.: | A-84370 |
| DATE: 10-31-01 | DATE: 10-31-01 | DWN BY: | ES QUINTERO |

1200A SERIES
FLANGE DRILLING DIMENSION TABLES
(ANSI 150#, DIN PN10/16, JIS 10K)



INLET FLANGE
(VIEWED FROM BOTTOM)
MODELS: 1200A, 1220A, 1300A
1201B, 1221B, 1301A



OUTLET FLANGE
MODELS: 1220A, 1260A, 1360A
1221B, 1261A, 1361A



BODY
MODELS: 2300A & 2301A

DRILLED HOLES

| SIZE | FLANGE DRILLING | HOLE DIA. | | TAPPED HOLE | NO. OF HOLES | BOLT CIRCLE DIA. | |
|------|-----------------|-----------|----|---------------|--------------|------------------|-----|
| | | in | mm | | | in | mm |
| 2" | ANSI 150# | .75 | 19 | 5/8-11 UNC-2B | 4 | 4.75 | 121 |
| 3" | ANSI 150# | .75 | 19 | 5/8-11 UNC-2B | 4 | 6.00 | 152 |
| 4" | ANSI 150# | .75 | 19 | 5/8-11 UNC-2B | 8 | 7.50 | 191 |
| 6" | ANSI 150# | .88 | 22 | 3/4-10 UNC-2B | 8 | 9.50 | 241 |
| 8" | ANSI 150# | .88 | 22 | 3/4-10 UNC-2B | 8 | 11.75 | 298 |
| 10" | ANSI 150# | 1.00 | 25 | 7/8-9 UNC-2B | 12 | 14.25 | 362 |
| 12" | ANSI 150# | 1.00 | 25 | 7/8-9 UNC-2B | 12 | 17.00 | 432 |
| 14" | ANSI 150# | 1.13 | 29 | 1-12 UNC-2B | 12 | 18.75 | 476 |

| SIZE | FLANGE DRILLING | HOLE DIA. | | TAPPED HOLE | NO. OF HOLES | BOLT CIRCLE DIA. | |
|------|-----------------|-----------|----|--------------|--------------|------------------|-----|
| | | in | mm | | | in | mm |
| 2" | JIS 10K | .75 | 19 | M16 x 2.0-6H | 4 | 4.72 | 120 |
| 3" | JIS 10K | .75 | 19 | M16 x 2.0-6H | 8 | 5.91 | 150 |
| 4" | JIS 10K | .75 | 19 | M16 x 2.0-6H | 8 | 6.89 | 175 |
| 6" | JIS 10K | .91 | 23 | M20 x 2.5-6H | 8 | 9.45 | 240 |
| 8" | JIS 10K | .91 | 23 | M20 x 2.5-6H | 12 | 11.42 | 290 |
| 10" | JIS 10K | .98 | 25 | M22 x 2.5-6H | 12 | 13.98 | 355 |
| 12" | JIS 10K | .98 | 25 | M22 x 2.5-6H | 16 | 15.75 | 400 |
| 14" | JIS 10K | .98 | 25 | M22 x 2.5-6H | 16 | 17.52 | 445 |

| SIZE | FLANGE DRILLING | HOLE DIA. | | TAPPED HOLE | NO. OF HOLES | BOLT CIRCLE DIA. | |
|------|-----------------|-----------|----|--------------|--------------|------------------|-----|
| | | in | mm | | | in | mm |
| 2" | PN 10 | .71 | 18 | M16 x 2.0-6H | 4 | 4.92 | 125 |
| 3" | PN 10 | .71 | 18 | M16 x 2.0-6H | 8 | 6.30 | 160 |
| 4" | PN 10 | .71 | 18 | M16 x 2.0-6H | 8 | 7.09 | 180 |
| 6" | PN 10 | .87 | 22 | M20 x 2.5-6H | 8 | 9.45 | 240 |
| 8" | PN 10 | .87 | 22 | M20 x 2.5-6H | 8 | 11.61 | 295 |
| 10" | PN 10 | .87 | 22 | M20 x 2.5-6H | 12 | 13.78 | 350 |
| 12" | PN 10 | .87 | 22 | M20 x 2.5-6H | 12 | 15.75 | 400 |
| 14" | PN 10 | .87 | 22 | M20 x 2.5-6H | 16 | 18.11 | 460 |

| SIZE | FLANGE DRILLING | HOLE DIA. | | TAPPED HOLE | NO. OF HOLES | BOLT CIRCLE DIA. | |
|------|-----------------|-----------|----|--------------|--------------|------------------|-----|
| | | in | mm | | | in | mm |
| 2" | PN 16 | .71 | 18 | M16 x 2.0-6H | 4 | 4.92 | 125 |
| 3" | PN 16 | .71 | 18 | M16 x 2.0-6H | 8 | 6.30 | 160 |
| 4" | PN 16 | .71 | 18 | M16 x 2.0-6H | 8 | 7.09 | 180 |
| 6" | PN 16 | .87 | 22 | M20 x 2.5-6H | 8 | 9.45 | 240 |
| 8" | PN 16 | .87 | 22 | M20 x 2.5-6H | 12 | 11.61 | 295 |
| 10" | PN 16 | 1.02 | 26 | M24 x 3.0-6H | 12 | 13.98 | 355 |
| 12" | PN 16 | 1.02 | 26 | M24 x 3.0-6H | 12 | 16.14 | 410 |
| 14" | PN 16 | 1.02 | 26 | M24 x 3.0-6H | 16 | 18.50 | 470 |

THIS DRAWING EMBODIES A CONFIDENTIAL PROPRIETARY DESIGN ORIGINATED BY GROTH CORPORATION, AND ALL DESIGN, MANUFACTURING, REPRODUCTION, USE AND SALE RIGHTS, REGARDING THE SAME, ARE EXPRESSLY RESERVED. IT IS SUBMITTED UNDER A CONFIDENTIAL RELATIONSHIP FOR A SPECIFIED PURPOSE, AND THE RECIPIENT AGREES BY ACCEPTING THIS DRAWING NOT TO SUPPLY OR DISCLOSE ANY INFORMATION REGARDING IT TO ANY UNAUTHORIZED PERSONS OR TO INCORPORATE IN OTHER PROJECTS ANY SPECIAL FEATURES PECULIAR TO THIS DESIGN. ALL PATENTS RIGHTS HERETO ARE EXPRESSLY RESERVED BY GROTH CORPORATION, 1202 HAHLD, HOUSTON, TEXAS 77020

| REV. | DATE | BY | ECN NO. |
|------|----------|-----|---------|
| A | 08-22-01 | ESQ | 10276 |
| | | | |
| | | | |
| | | | |
| | | | |
| | | | |



GROTH CORPORATION
a Continental Disc Company

| | | |
|--------------|-------------|---------------------|
| APPROVED BY: | CHECKED BY: | DWG. NO. : C-92526 |
| DATE: | DATE: | DWN BY: ES QUINTERO |

| ITEM | DESCRIPTION | STANDARD MATERIALS OF CONSTRUCTION | | | OPTIONAL FEATURES |
|------|-------------------------------|--------------------------------------|--|------------------------------------|--------------------------|
| | | ALUMINUM <input type="checkbox"/> | CARBON STL <input type="checkbox"/> | 316 SS <input type="checkbox"/> | |
| 1 | OUTLET | AL (GR 356 T6) | CS (WCB) | CF-8M (316 SS) | <input type="checkbox"/> |
| 2 | STUD | SS | SS | SS | <input type="checkbox"/> |
| 3 | NUT, HEX | SS | SS | SS | <input type="checkbox"/> |
| 4 | COVER | AL (GR 356 T6) | CS (WCB) | CF-8M (316 SS) | <input type="checkbox"/> |
| 5 | STEM, VACUUM | 316 SS | 316 SS | 316 SS | <input type="checkbox"/> |
| 6 | * GASKET, COVER | Teflon® PTFE | Teflon® PTFE | Teflon® PTFE | <input type="checkbox"/> |
| 7 | ROD, GUIDE | 316 SS | 316 SS | 316 SS | <input type="checkbox"/> |
| 8 | PALLET, VACUUM | 316 SS | 316 SS | 316 SS | <input type="checkbox"/> |
| 9 | * DIAPHRAGM, VACUUM (1) | Teflon® FEP | Teflon® FEP | Teflon® FEP | <input type="checkbox"/> |
| 10 | PLATE, RETAINER (VACUUM) | 316 SS | 316 SS | 316 SS | <input type="checkbox"/> |
| 11 | WASHER, LOCK | SS | SS | SS | <input type="checkbox"/> |
| 12 | NUT, HEX | SS | SS | SS | <input type="checkbox"/> |
| 13 | SCREEN (OPTIONAL) | 316 SS | 316 SS | 316 SS | <input type="checkbox"/> |
| 14 | PLUG, PIPE | CS | CS | 316 SS | <input type="checkbox"/> |
| 15 | * O-RING (PLATE PALLET) (2) | VITON | VITON | VITON | <input type="checkbox"/> |
| 16 | INSERT, SEAT (3) (NOT SHOWN) | OPTIONAL | 316 SS | NOT USED | <input type="checkbox"/> |
| 17 | PALLET WEIGHT (4) (NOT SHOWN) | LEAD | LEAD | LEAD | <input type="checkbox"/> |

* SPARE PARTS

(1) Teflon® is a registered trademark of E.I. du Pont de Nemours and Co. used under license.

(2) ELASTOMERS ALSO AVAILABLE IN AFLAS, BUNA-N, EPR & KALREZ

(3) STANDARD -C.S. UNITS (WELDED); OPTIONAL - ALUM UNITS (BONDED)

(4) AVAILABLE IN 316 SS; CONSULT FACTORY FOR ALT. MATERIALS.

DWG. NUMBER:
BOM NUMBER:

C-84370
84370bom.xls

REV. A



a Continental Disc Company